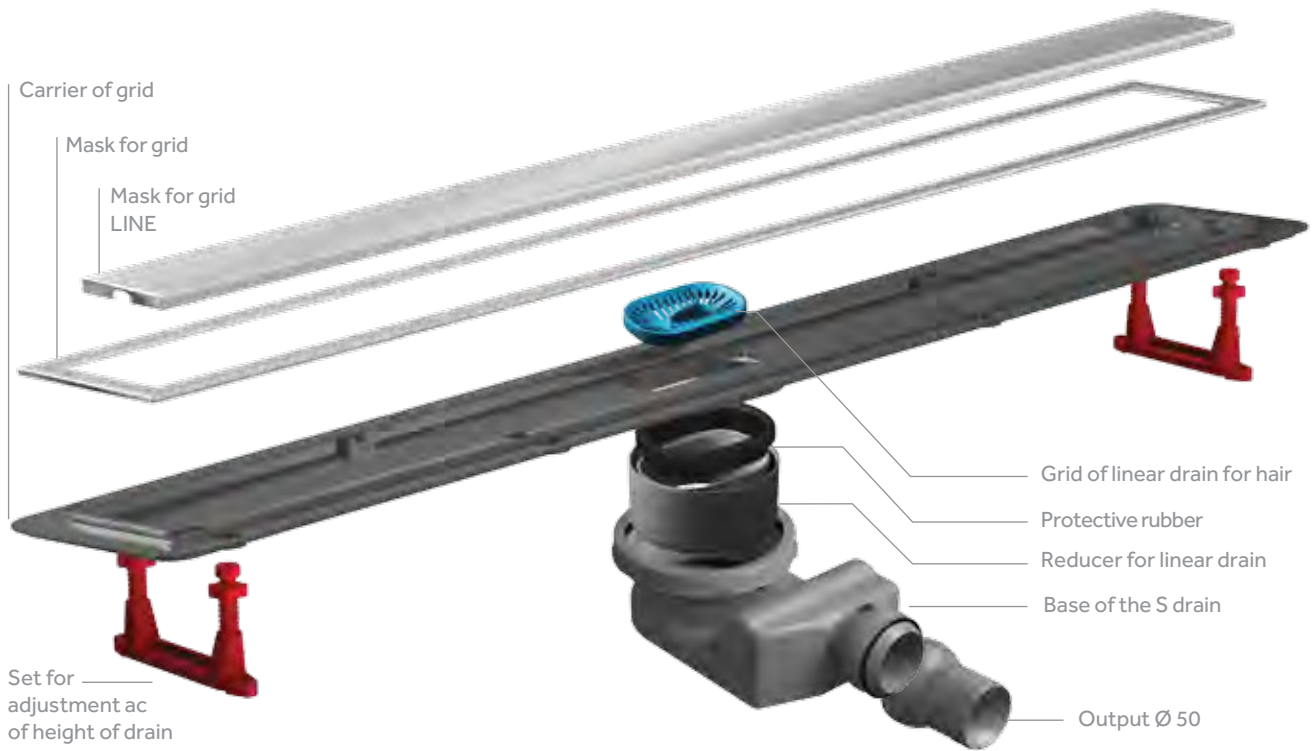


Confluo Premium

02

- **SHAPE:** Line, highly adjustable to the slopes
- **USAGE:** Private bathrooms, bathrooms in the hotels, hospitals, fitness centers, etc.
- **DETAILS:** Line, small size of the frame, stainless steel, adjustable to the slope
- **SIZE:** Length of drains designed in variants of: 300mm, 450mm, 550mm, 650mm, 750mm, 850mm
- **FEATURES:**
 - Drain in a shape of a line, low profile, takes up little space under the floor
 - Grid made of stainless steel with possible additions of elements made of glass
 - Increased flow of a drain
 - May be combined with other drains in the same room that are connected to this drain
 - A simple model with good features
 - Made from modern materials with high level of system security
 - Easy to install
- **SPECIAL ACCESSORIES FOR CONFLUO DRAINS:**
 - Hair filter





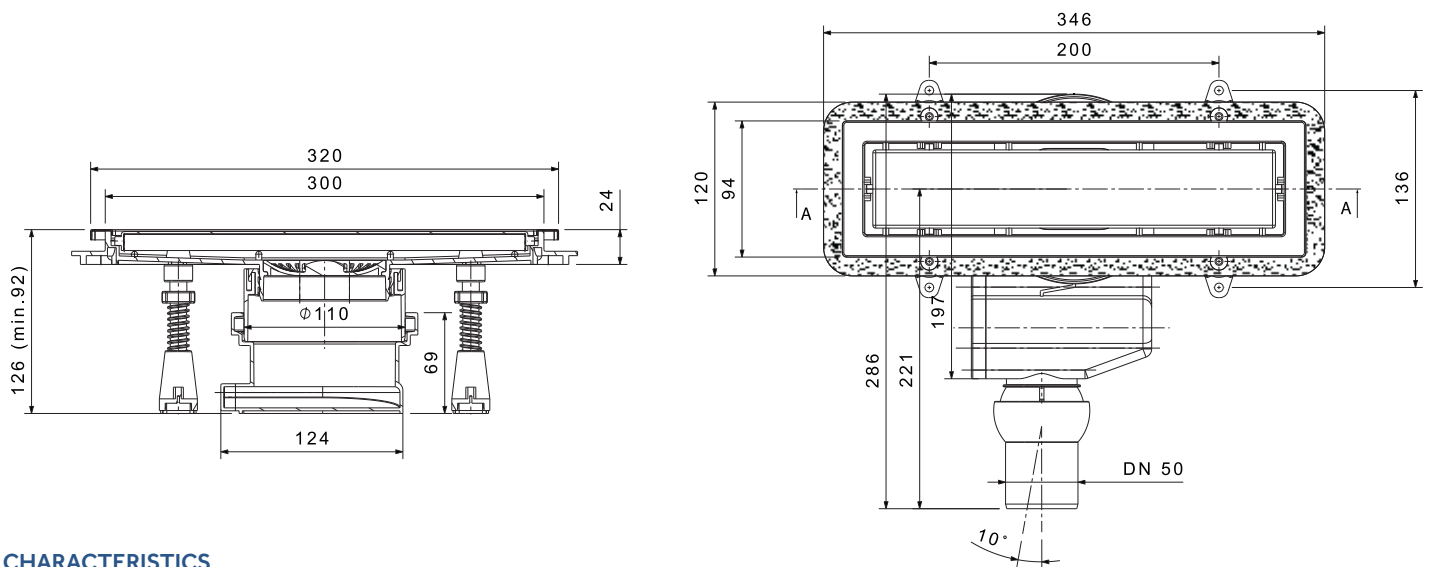
LINE 300

Article number

13100001

Peštan CONFLUO drain "LINE 300" made of PP (polypropylene). Sound absorbing with no side inlets. One angle joint adjustable Ø50 outlet. Flow rate 0,75 l/s. Drain with no odour trap (siphon), sealing water height 40 mm. Height adjustable reducer for linear drain and feet for height and inclination adjustment. Adjustable grate holder. Hair stopper. Stainless steel mask and stainless steel grate, class K3 (up to 300 kg of load). Frame size 278x54 mm.

Installation area 120x280 mm



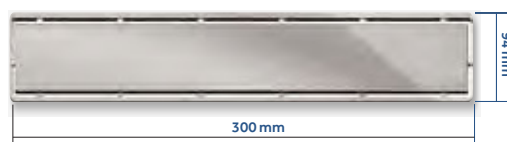
CHARACTERISTICS

Flow rate up to 45l/min



Min. height

92 mm



Grid class: K3

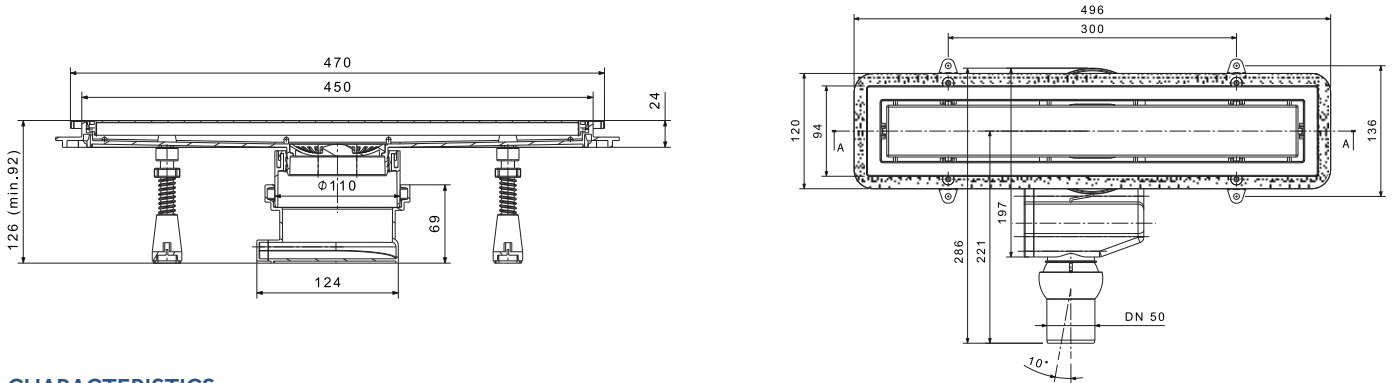
LINE 450

Article number

13100002

Peštan CONFLUO drain "LINE 450" made of PP (polypropylene). Sound absorbing with no side inlets. One angle joint adjustable Ø50 outlet. Flow rate 0,75 l/s. Drain with no odour trap (siphon), sealing water height 40 mm. Height adjustable reducer for linear drain and feet for height and inclination adjustment. Adjustable grate holder. Hair stopper. Stainless steel mask and stainless steel grate, class K3 (up to 300 kg of load). Frame size 428x54 mm.

Installation area 120x280 mm

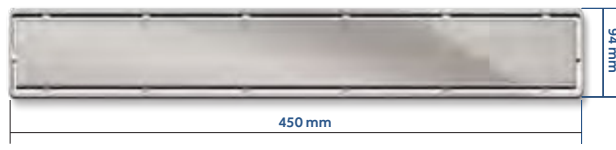


CHARACTERISTICS

Flow rate up to 45l/min



Min. height



Grid class: K3

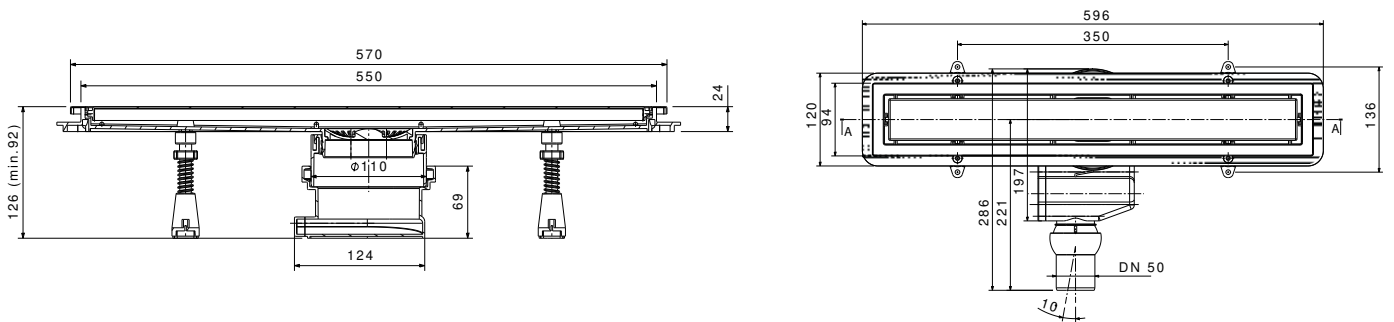
LINE 550

Article number

13100003

Peštan CONFLUO drain "LINE 550" made of PP (polypropylene). Sound absorbing with no side inlets. One angle joint adjustable Ø50 outlet. Flow rate 0,75 l/s. Drain with no odour trap (siphon), sealing water height 40 mm. Height adjustable reducer for linear drain and feet for height and inclination adjustment. Adjustable grate holder. Hair stopper. Stainless steel mask and stainless steel grate, class K3 (up to 300 kg of load). Frame size 528x54 mm.

Installation area 120x280 mm

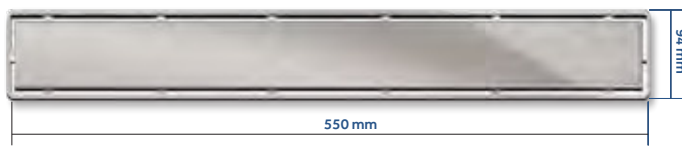


CHARACTERISTICS

Flow rate up to 45l/min



Min. height



Grid class: K3

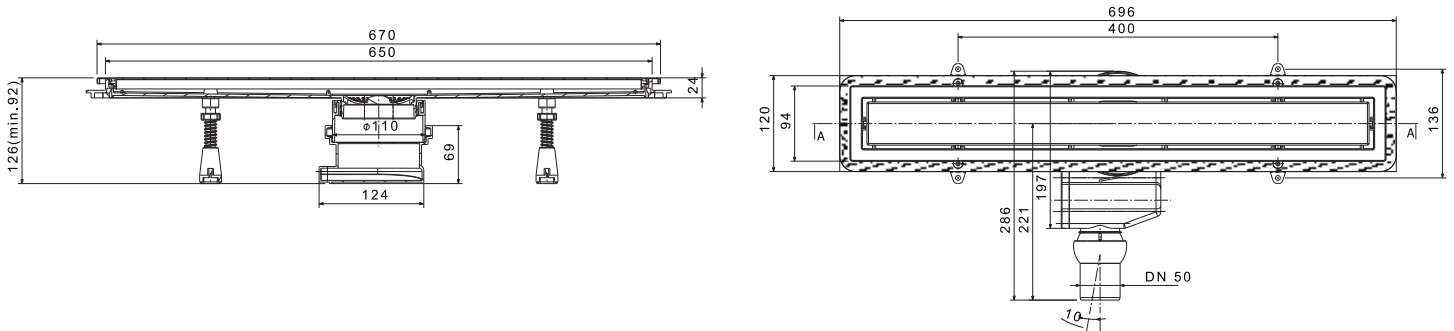
LINE 650

Article number

13100004

Peštan CONFLUO drain "LINE 650" made of PP (polypropylene). Sound absorbing with no side inlets. One angle joint adjustable Ø50 outlet. Flow rate 0,75 l/s. Drain with no odour trap (siphon), sealing water height 40 mm. Height adjustable reducer for linear drain and feet for height and inclination adjustment. Adjustable grate holder. Hair stopper. Stainless steel mask and stainless steel grate, class K3 (up to 300 kg of load). Frame size 628x54 mm.

Installation area 120x280 mm



CHARACTERISTICS

Flow rate up to
45l/min

Min. height



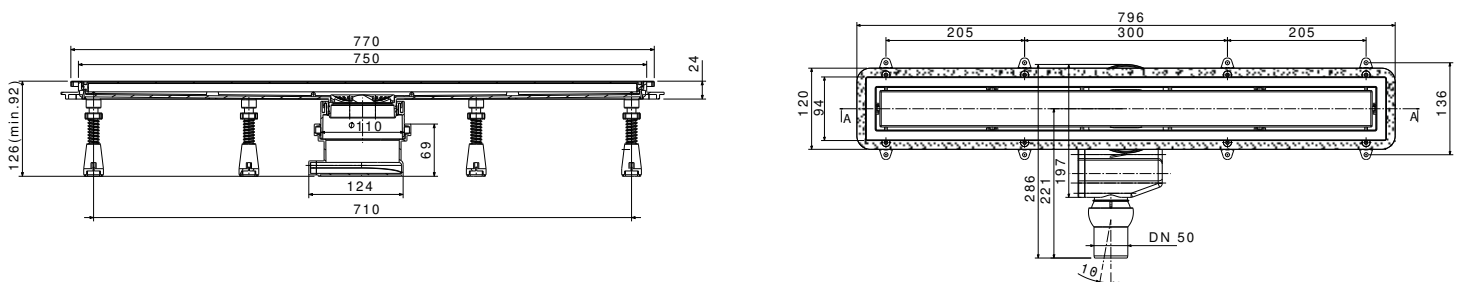
LINE 750

Article number

13100005

Peštan CONFLUO drain "LINE 750" made of PP (polypropylene). Sound absorbing with no side inlets. One angle joint adjustable Ø50 outlet. Flow rate 0,75 l/s. Drain with no odour trap (siphon), sealing water height 40 mm. Height adjustable reducer for linear drain and feet for height and inclination adjustment. Adjustable grate holder. Hair stopper. Stainless steel mask and stainless steel grate, class K3 (up to 300 kg of load). Frame size 728x54 mm.

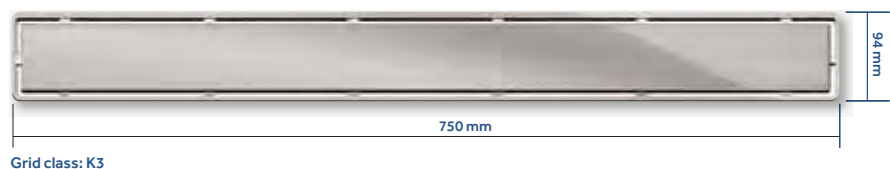
Installation area 120x280 mm



CHARACTERISTICS

Flow rate up to
45l/min

Min. height



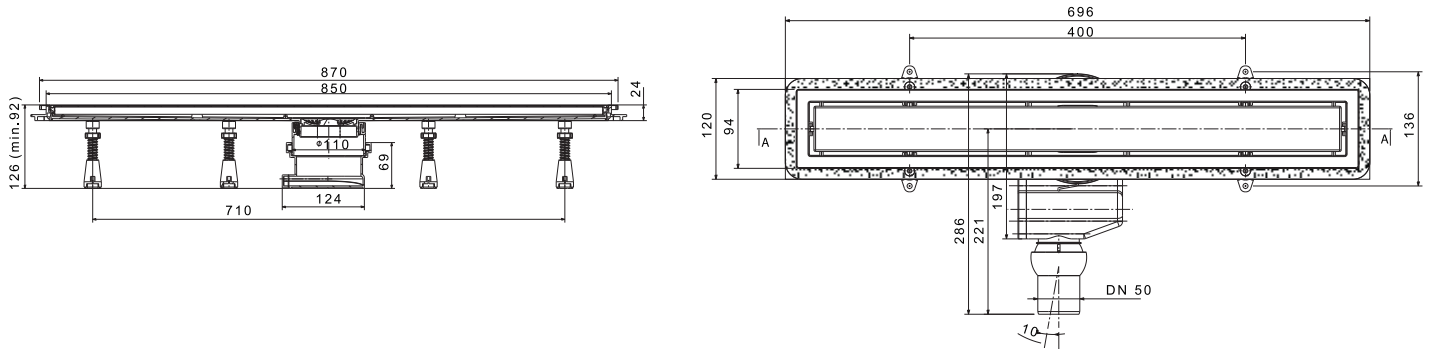
LINE 850

Article number

13100006

Pešťan CONFLUO drain "LINE 850" made of PP (polypropylene). Sound absorbing with no side inlets. One angle joint adjustable Ø50 outlet. Flow rate 0,75 l/s. Drain with no odour trap (siphon), sealing water height 40 mm. Height adjustable reducer for linear drain and feet for height and inclination adjustment. Adjustable grate holder. Hair stopper. Stainless steel mask and stainless steel grate, class K3 (up to 300 kg of load). Frame size 828x54 mm.

Installation area 120x280 mm



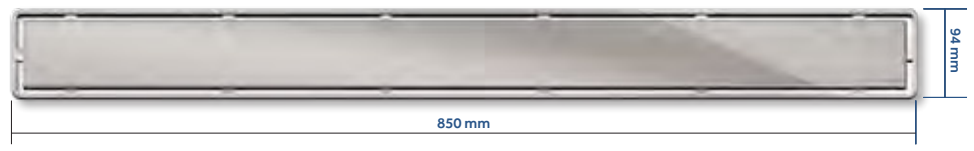
CHARACTERISTICS

Flow rate up to
45l/min



Min. height

92 mm



Grid class: K3



3in1 SYSTEM

1

Glass

**GREAT
POSSIBILITIES
OF DRAIN
TRANSFORMATION.**

2

Metal

3

Ceramic